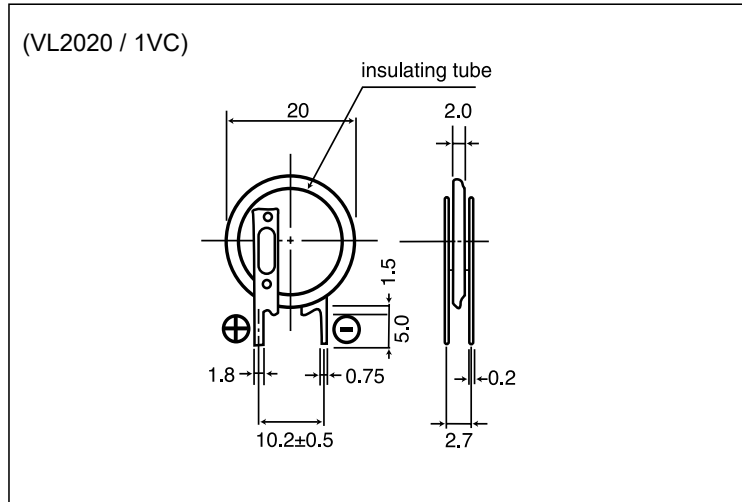


# Vanadium Pentoxide Lithium Coin Batteries (VL Series): Individual Specifications

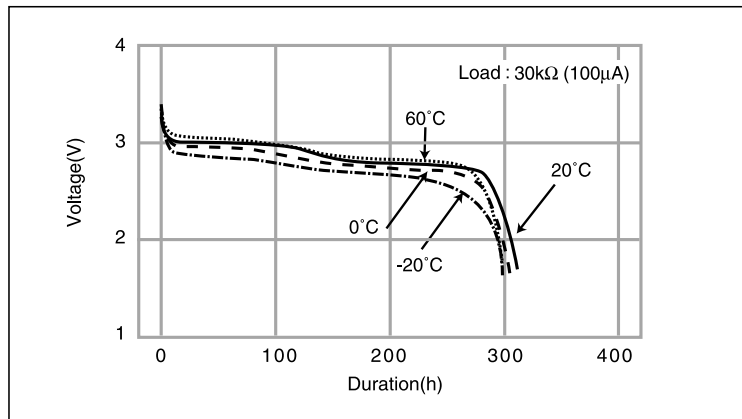
## VL2020

### ■ Dimensions(mm)



### ■ Specification

<b>Nominal voltage(V)</b>	3
<b>Nominal capacity(mAh)</b>	20.0
<b>Continuous standard load(mA)</b>	0.07
<b>Operating temperature(°C)</b>	-20 ~ +60



### ■ Consumption current vs. Duration time

